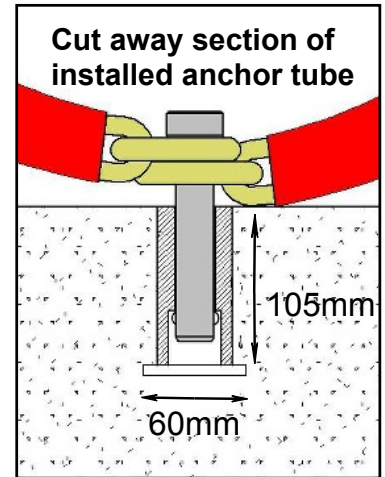


MC100/MC100S Chain Lock Data Sheet



Features:

- Can be secured in two ways:
 - i) With recessed cup to fit onto Bulldog Super Lock Bolt for use as a portable secure loop.
 - ii) With the lock tube supplied with the Kit which can be concreted in the ground/floor to offer a permanent anchor position within the garage, in the drive or workshop etc.
- 1.2m (4ft) high specification, * Alloy steel chain case hardened to 750-800 VPN (60 - 62 Rockwell) min depth 0.040 inch. Link diameter 13mm, end links 16mm diameter. (*This chain is not standard mild steel).
- Ductile, hard core to chain 350 VPN, sufficient to support case hardening without being brittle. Resistant to cropping, can not be bolt cropped by hand.
- Bright red woven fabric sleeving for high visibility and protection.
- No padlock, uses Bulldog Super Lock Bolt with over one million possible key combinations.
- No protruding parts when ground anchor is not in use, tube is completely flush fitting.
- Weight of chain = 8.2kg.
- Also available kit reference MC100S. A ground anchor kit as above but with 6ft chain instead of 4ft. 6ft has special pear link as well as standard end links giving facility to create a noose. Weight of chain = 11.1kg.