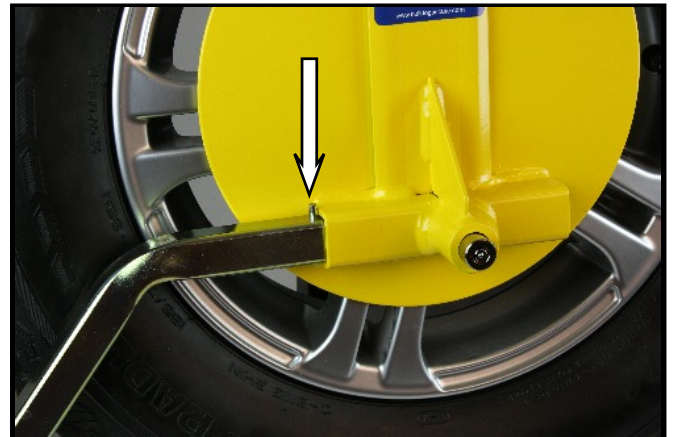


QD Wheel Clamp Fitting Instructions



1. With the lock in the unlocked position, fit the top arm and rotate until it is vertical.



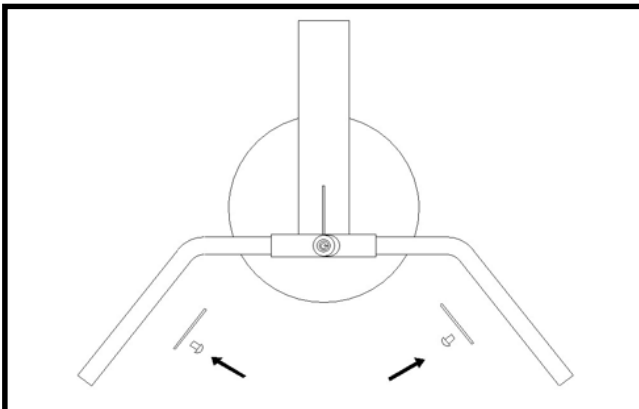
2. Fit left hand arm into channel until roll pin touches channel as shown. (ARROW ON PICTURE)



3. Fit right hand arm into channel until label lines up with channel.



4. The lock can now be pushed in until it clicks.



5. To Un-Lock Clamp: Insert key, rotate ½ turn, and pull on key until lock opens.

Dependent on tyre size and model purchased, it may be necessary to fit the reversible chock plates. The fixing hole in these plates are deliberately offset to provide various extensions for differing tyre sizes.

To fit them, remove the clamp, loosely fit the chock plate and refit the clamp, once the correct fit is obtained tighten fasteners and tap the aluminium tamper proof slug into the head of the fastener.

Note: QD11, QD22 & QD22Y do not require additional plates.