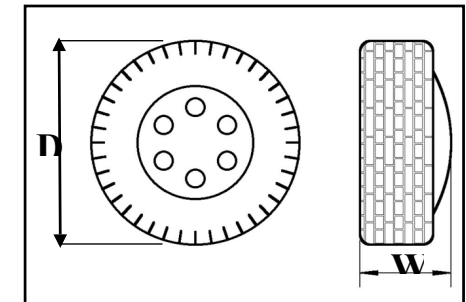


TITAN RANGE - Fixed Width Arms

CHOOSE YOUR TITAN WHEEL CLAMP FROM THE CHART BELOW:

Model Number	TT155/D	168/D	170/D	180/F	195/S	SW195/F	210/DF	COS 230/FD
Typical Application	Trailer Tents or Medium Trailers	Boat Trailers Small Cars and Trailers	Caravans Small Cars and Trailers	Caravans and Trailers	Caravans Cars and Trailers	Caravans With low Wheel arch	Caravans Cars and Trailers	Caravans Cars and Trailers
Tyre/Wheel Size	5.00 x 10 5.20 x 10	145 R10 145 R12 145/70 R13 155/70 R12	145 155 R13	165 R13	155, 165, 175 R13, 14, 15 185 / 60 R12 No Trim	155 165 175 R13,14,15	185 R13,14,15	195 205 R14,15
Wheel Trim Type	No Trim	No Trim	No Trim	No Trim	Flat Trim or Alloy Wheel	Bulbous Trim or Low Wheel Arch	Inset wheel Flat Trim Alloy Wheel	Inset Wheel Flat Trim Alloy Wheel
Product Weight (without packaging)	12.4kg	12.8kg	14kg	14.3kg	14.3kg	14.6kg	15kg	15.4kg



CENTAUR RANGE - Adjustable for Width and Diameter

SMALL CENTAUR - CA500

Product Weight (without packaging) = 16.8kg

D = MAX - 530MM (21 1/4")
MIN - 460MM (18 1/4")

W = MAX - 230MM (9")
MIN - 160MM (6 1/4")

STANDARD CENTAUR - CA2000

Product Weight (without packaging) = 18.8kg

D = MAX - 640MM (25 1/4")
MIN - 545MM (20 3/4")

W = MAX - 220MM (8 3/4")
MIN - 140MM (5 1/2")

COMMERCIAL CENTAUR - CA2000C

Product Weight (without packaging) = 20kg

D = MAX - 760MM (30")
MIN - 640MM (25 1/4")

W = MAX - 260MM (10")
MIN - 175MM (7")

CENTAUR FOR 4X4's -CA2500

Product Weight (without packaging)= 20KG

D = MAX- 800MM (32")
MIN- 760MM (30")

W= MAX- 280MM (12")
MIN- 200MM (8")